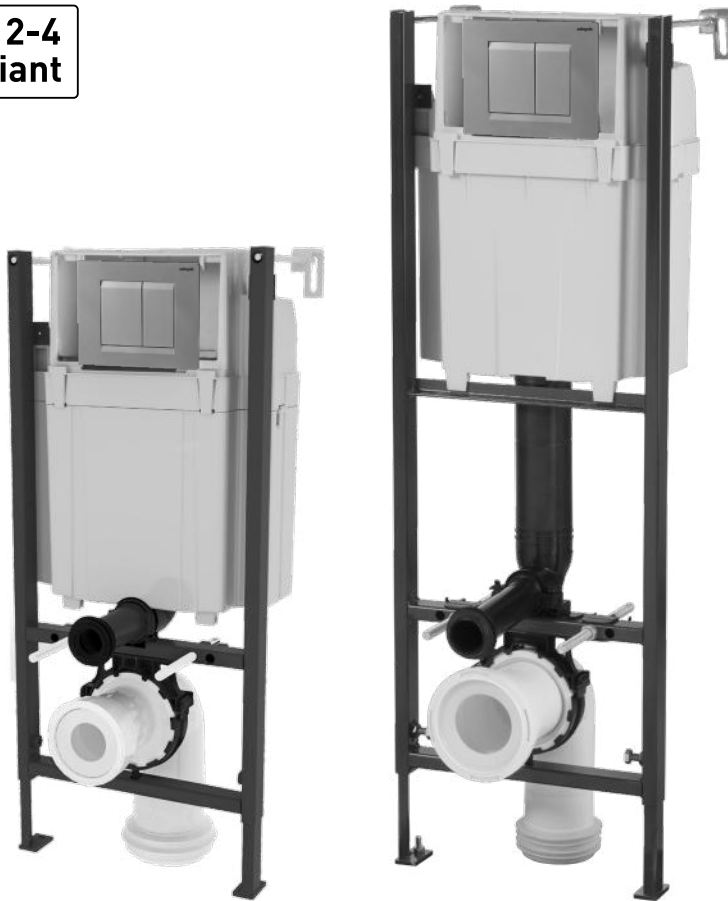




0.8M & 1M WALL HUNG WC FRAME INSTALLATION INSTRUCTIONS

290996
A_06/2021

**BS 1212-4
Compliant**



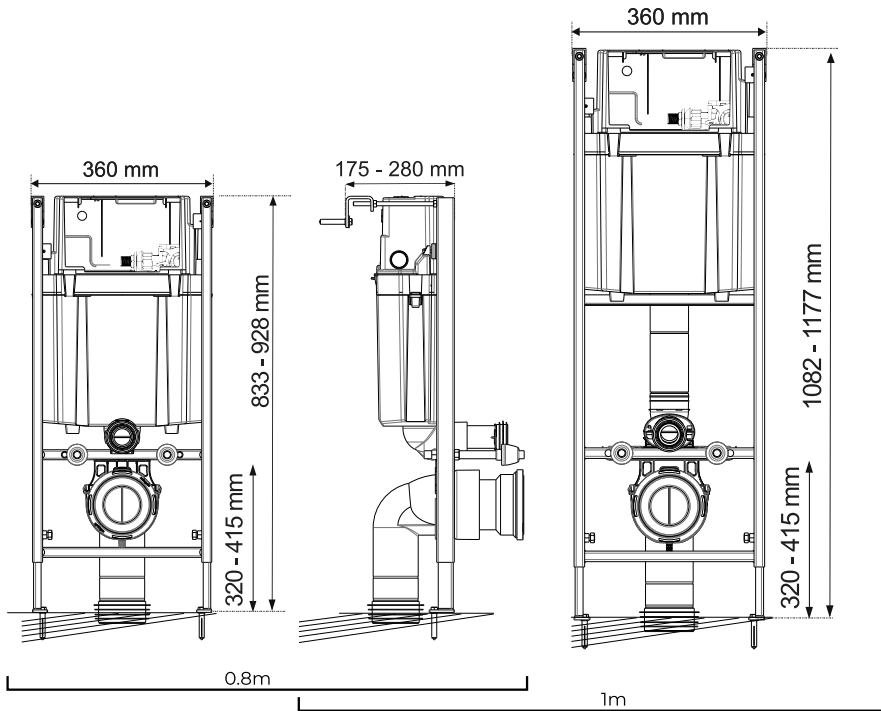
IMPORTANT INFORMATION - PRIOR TO INSTALLATION OF THE WC FRAME

Read the instructions carefully.
Ensure product contents are complete.
Check the product for any signs of damage.
It is recommended that a technically competent installer undertakes installation.
It is the installer's responsibility to carry out a thorough assessment of the installation environment (i.e. wall type/structure) and use appropriate fixings.
Care should be taken when drilling to avoid any hidden wires or pipes.
Use appropriate Personal Protective Equipment at all times when installing the product.

CLEANING

Clean push plate with warm soapy water. Do not use any bleach or detergents.

COMPONENTS



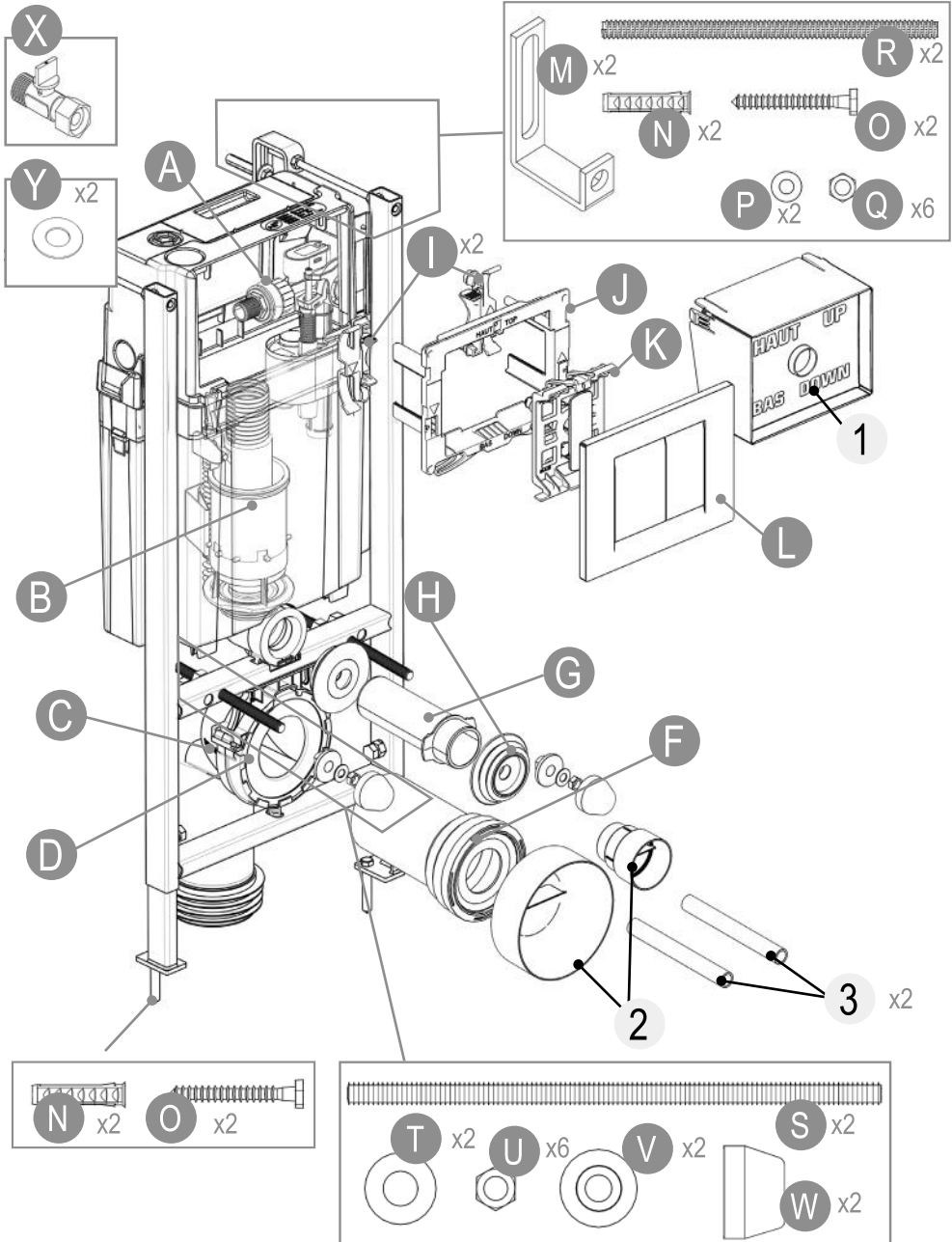
Ref.	Description	0.8m QTY	1m QTY
A	Inlet Valve	1	1
B	Flush Valve	1	1
C	90° WC Pan Connector	1	1
D	WC Pan Connector Bracket	1	1
F	Straight WC Pan Connector	1	1
G	Flushpipe	1	1
H	Flushpipe Bung	1	2
I	Push Plate Clips	2	2
J	Push Plate Bracket	1	1
K	Push Plate Cable Connector	1	1
L	Chrome Push Plate	1	1
M	Wall Brackets	2	2
N	Wall & Floor Plugs	4	4
O	Wall & Floor Screws	4	4
P	Washers	2	2
Q	Nuts	6	6

Ref.	Description	0.8m QTY	1m QTY
R	Wall Fixing Threaded Bar	2	2
S	Pan Fixing Threaded Bar	2	2
T	Washers	2	2
U	Nuts	6	6
V	Pan Fixings Sleeve	2	2
W	Pan Fixing Cover Cap	2	2
X	Isolation Valve	1	1
Y	Isolation Valve Fibre Washers	2	2

For use during first fix		0.8m QTY	1m QTY
1	Cistern Cover	1	1
2	WC Pan Connector & Flushpipe Cover	2	2
3	Pan Fixing Threaded Bar Sleeve	2	2

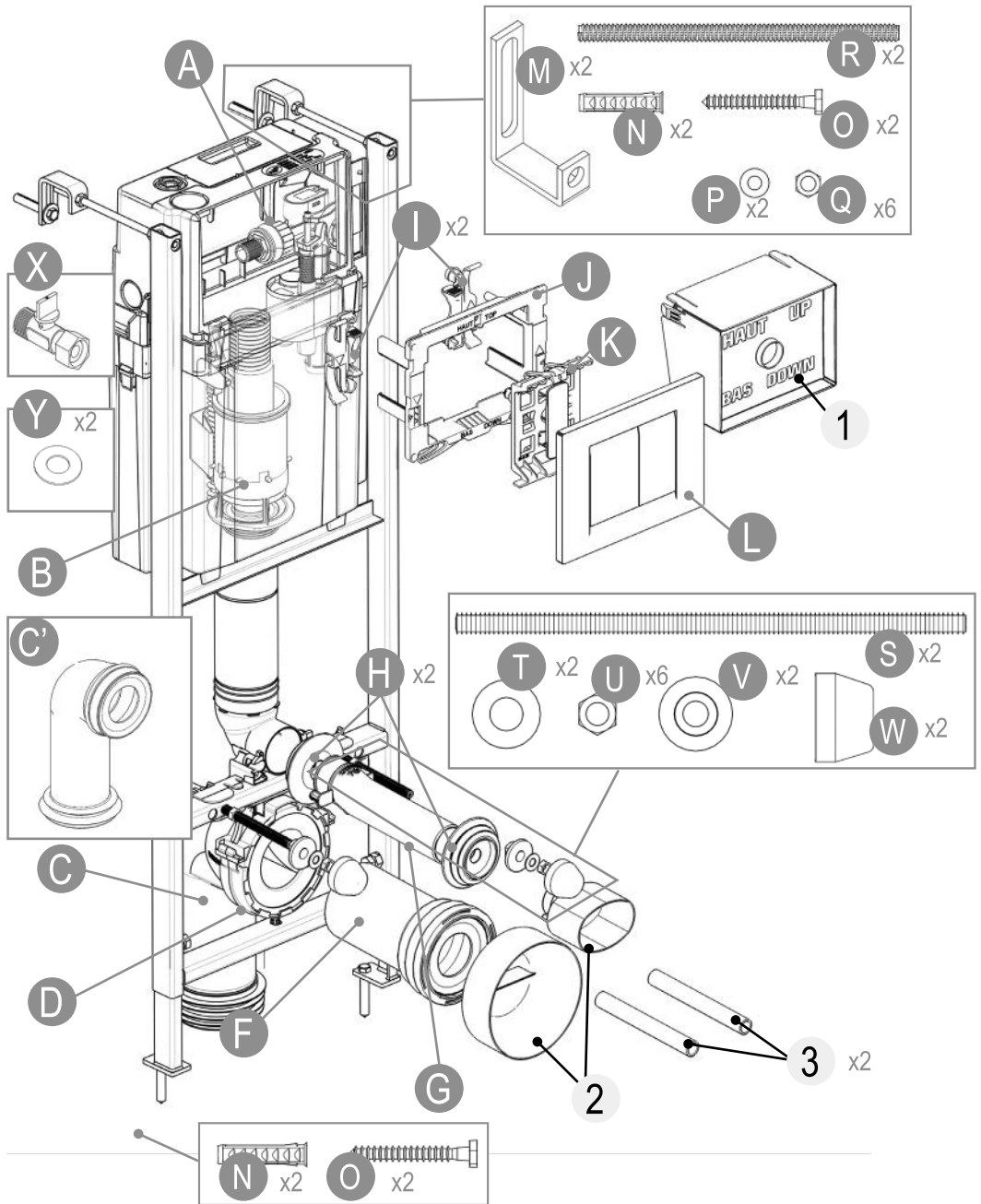


COMPONENTS - 0.8M



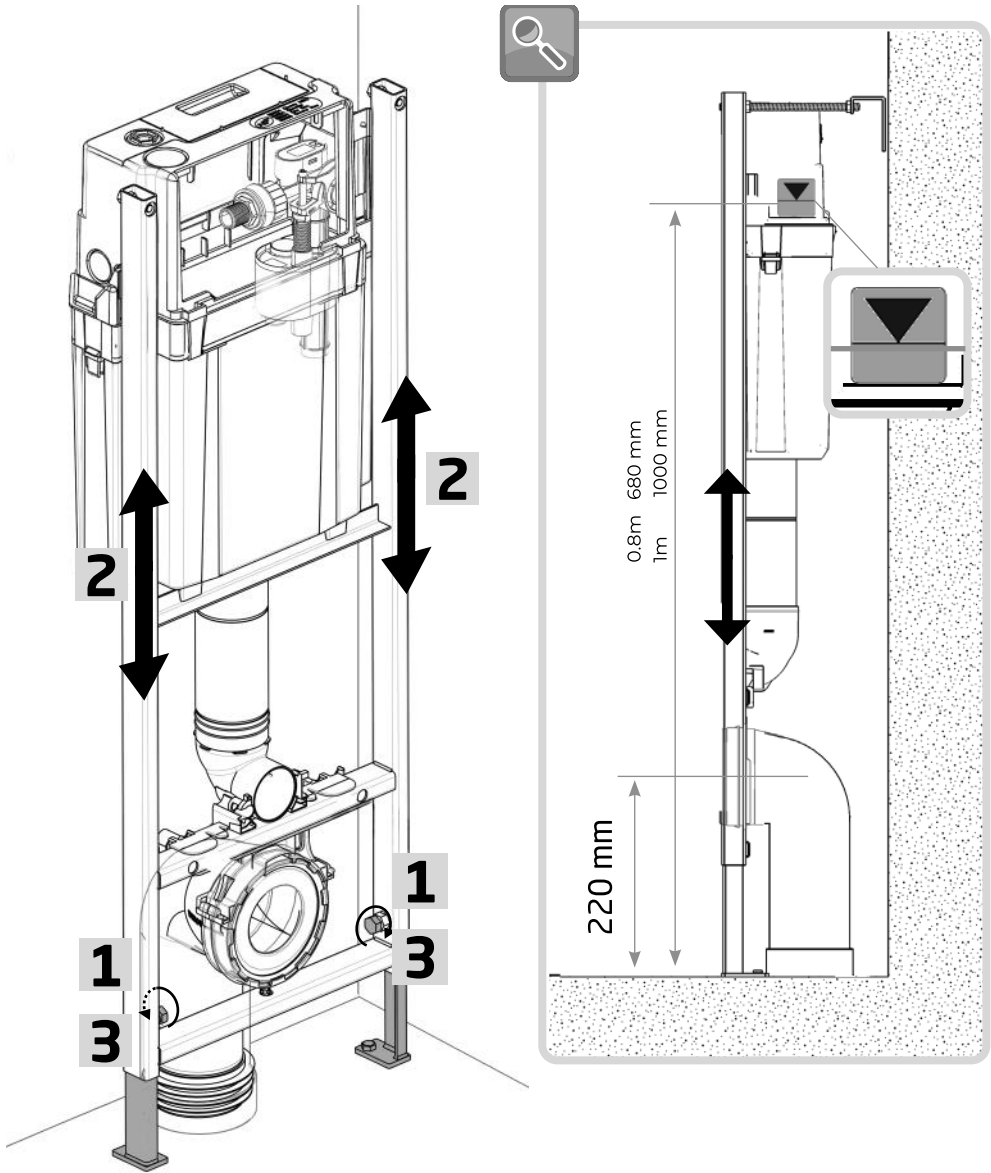


COMPONENTS - 1M



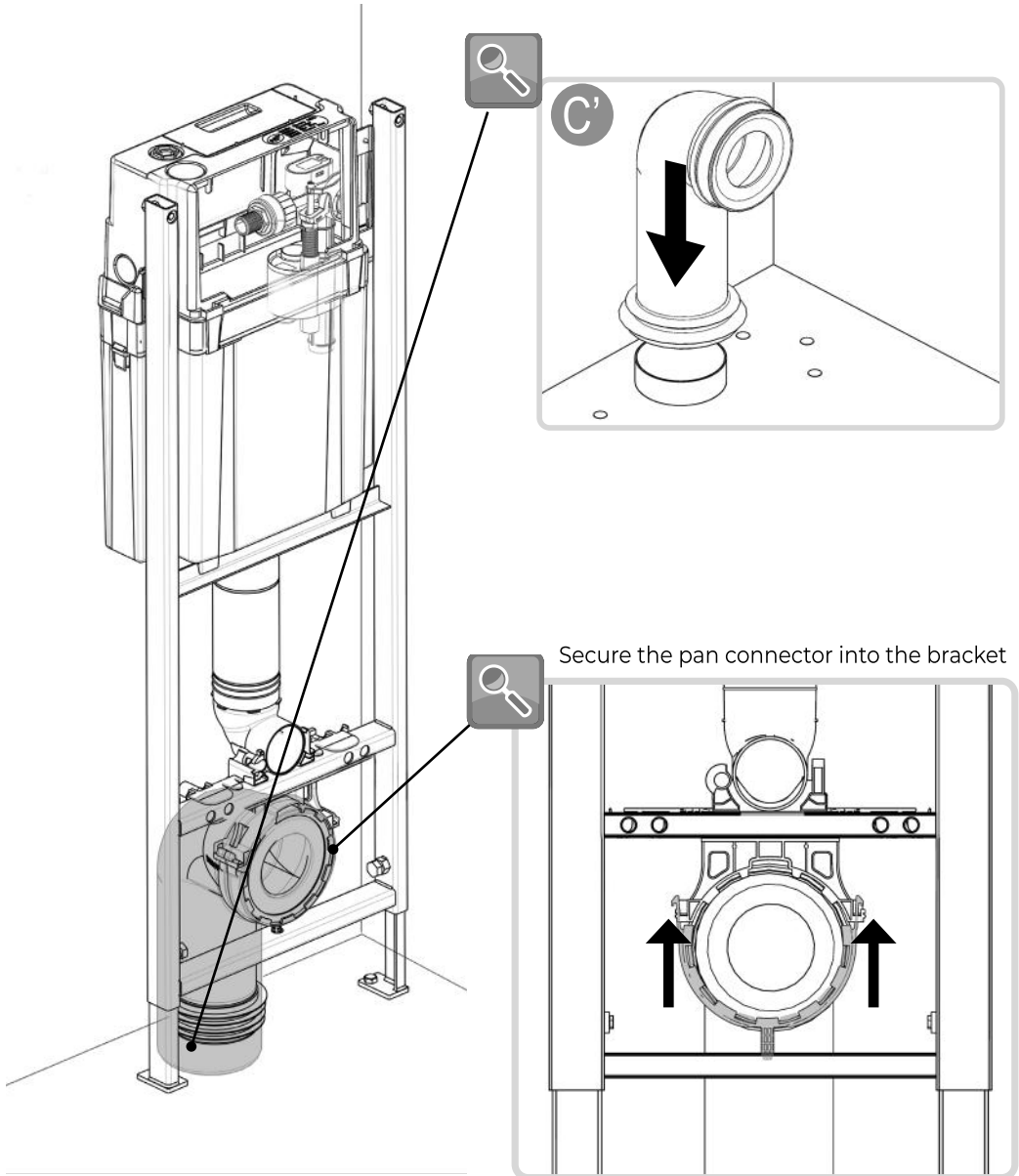
1

HEIGHT ADJUSTMENT



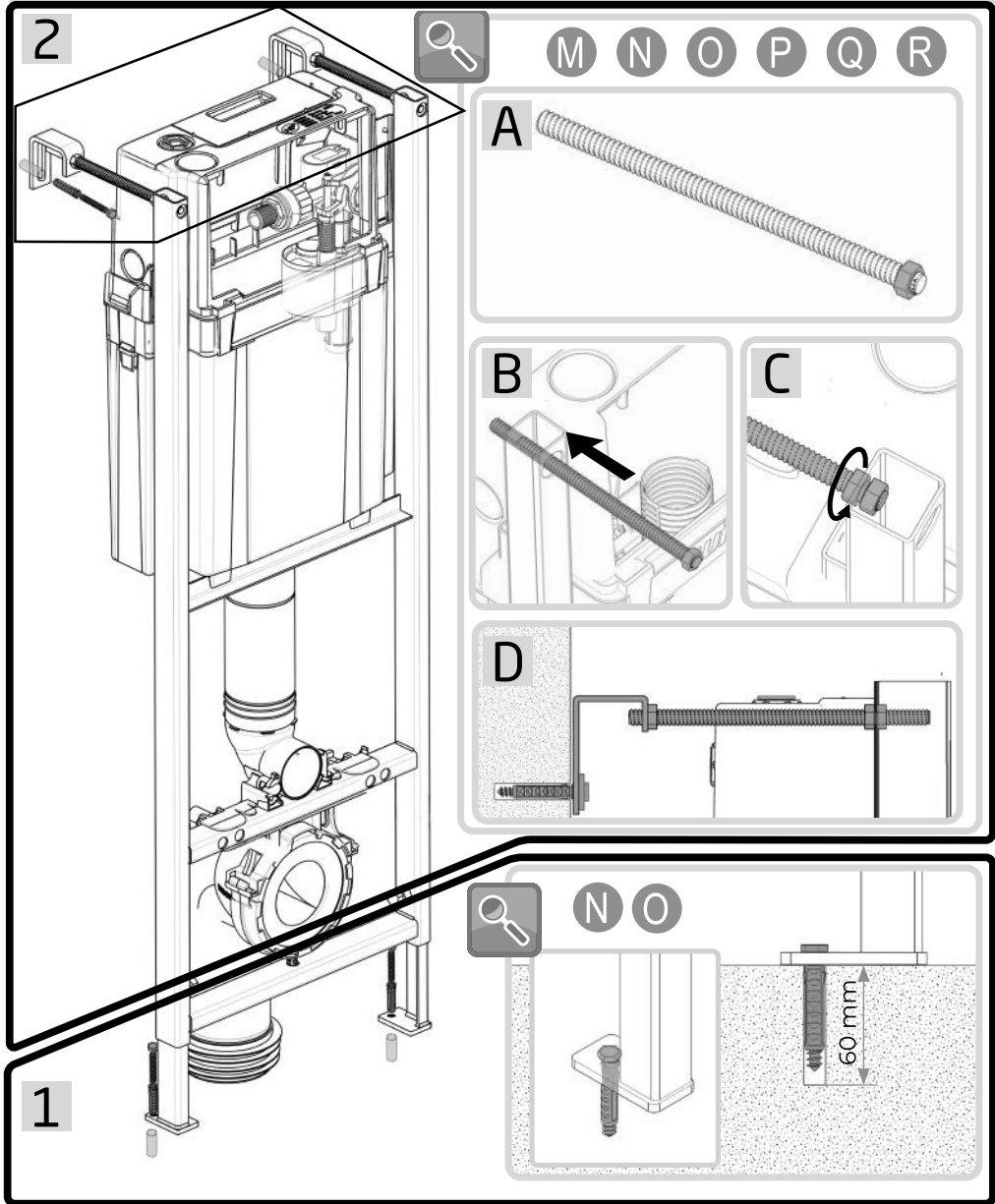
2

WC PAN CONNECTOR INSTALLATION



3

WALL & FLOOR FIXINGS



4

WATER FEED

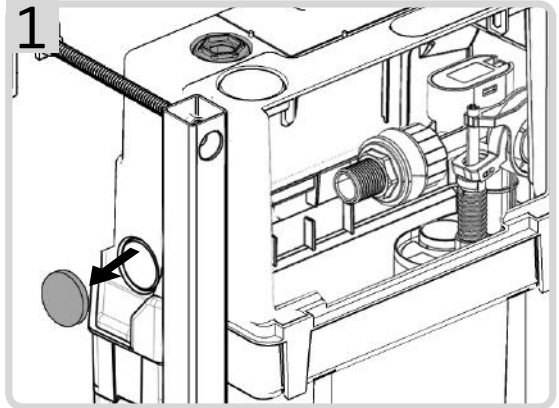
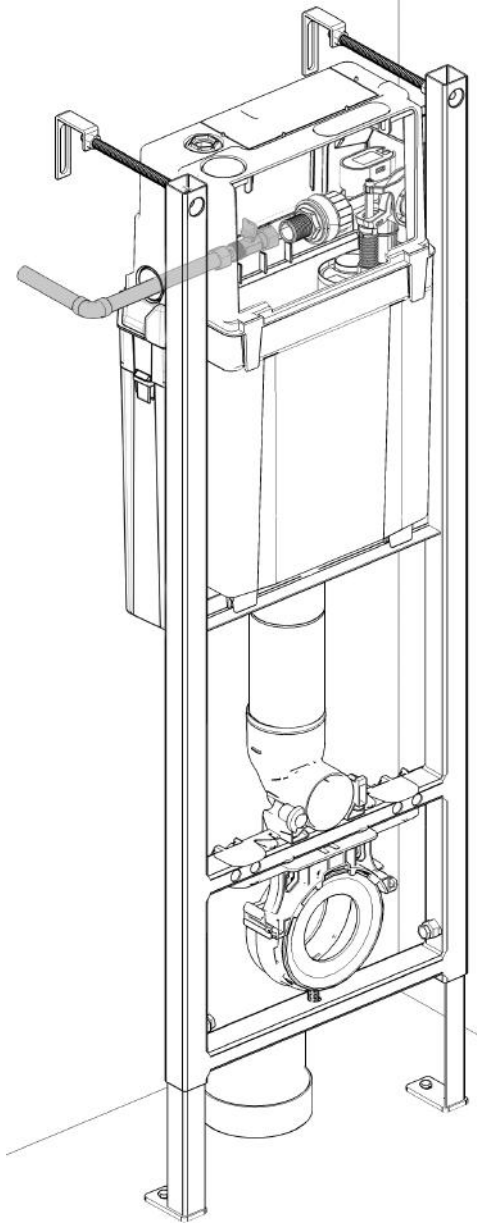
X x1



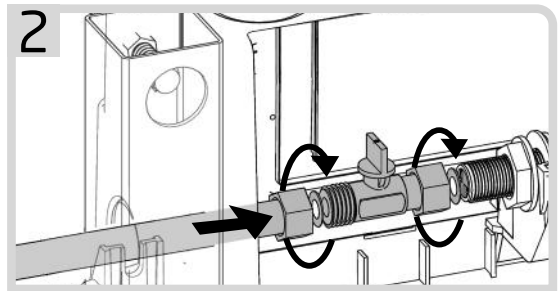
Y x2



The water feed can be positioned either top, back or side



A filter is fitted as standard and is suitable for water pressures from 0.2 to 10 bar. Ensure the filter is fitted in the tail of the inlet valve.

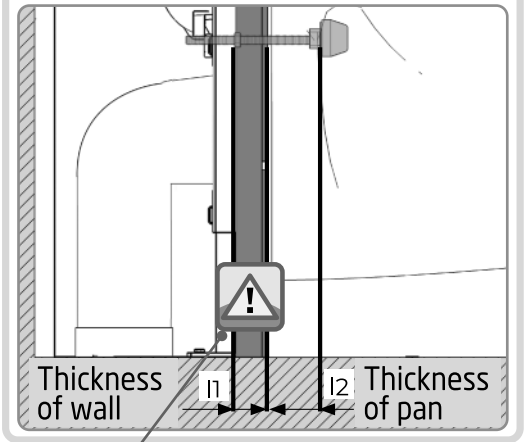
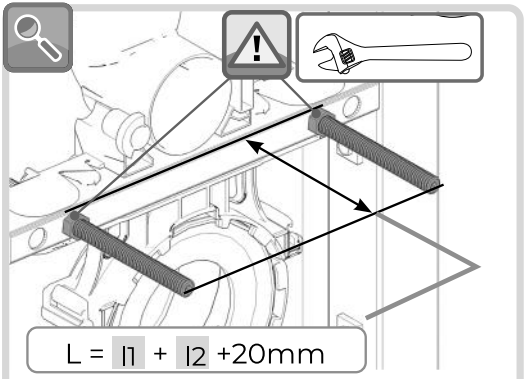
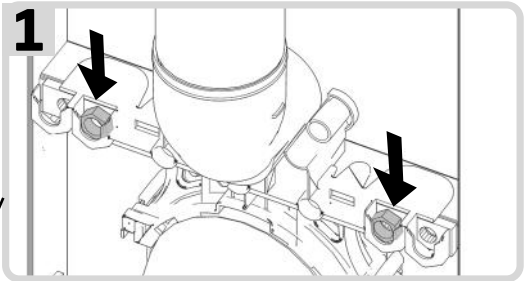
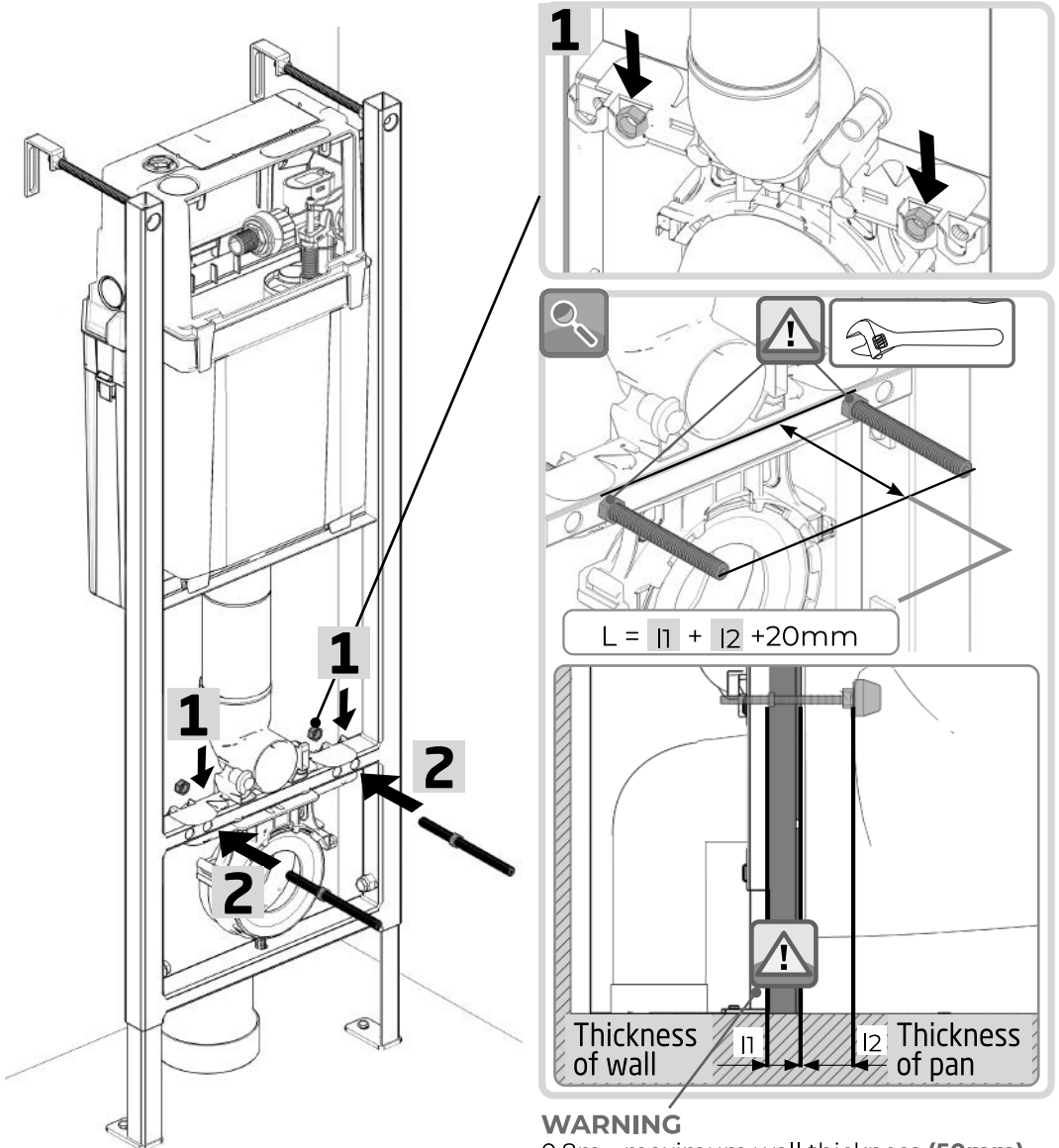


5

WC PAN FIXINGS

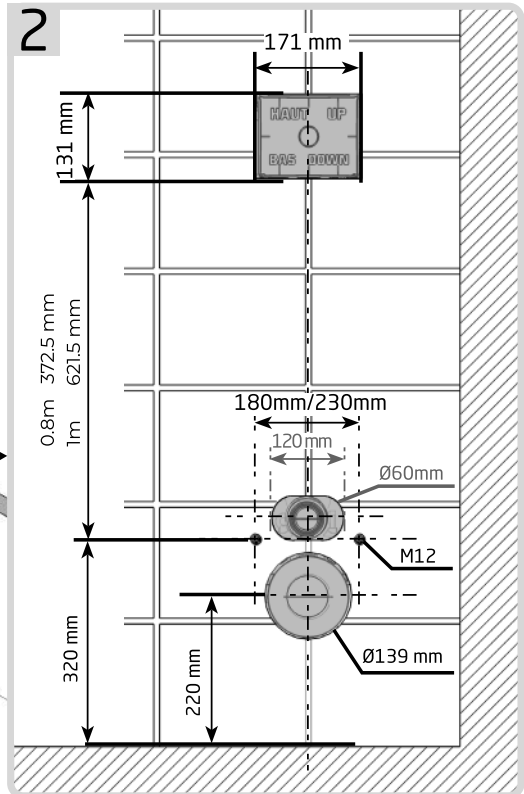
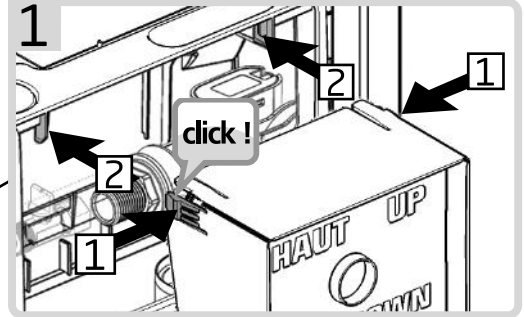
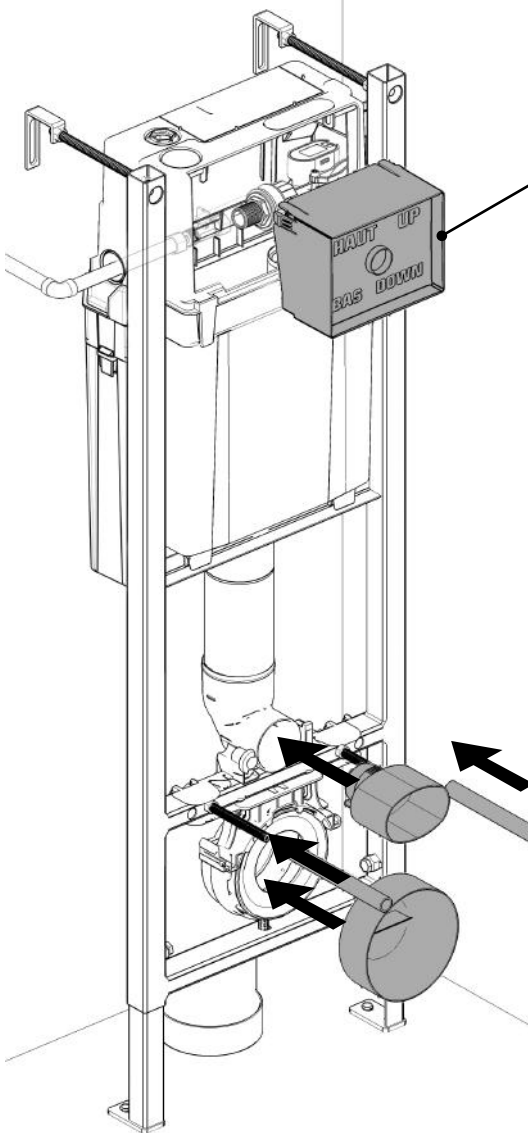


Define required wc pan centres (180mm or 230mm) by measuring the distance on the back of the pan.



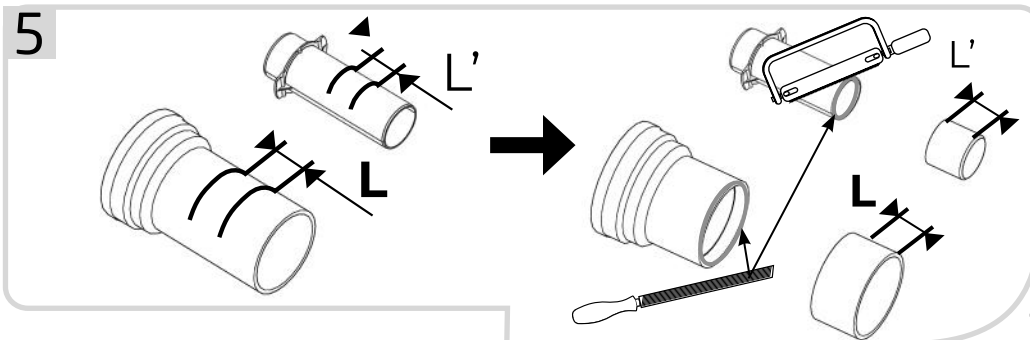
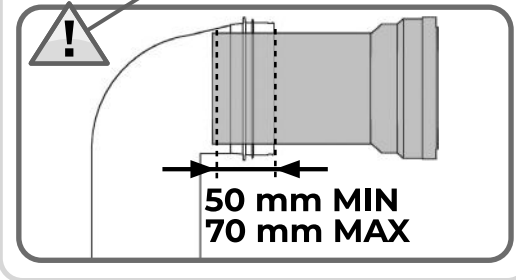
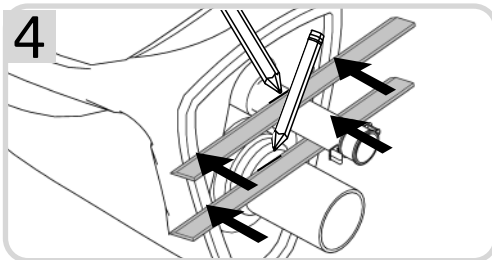
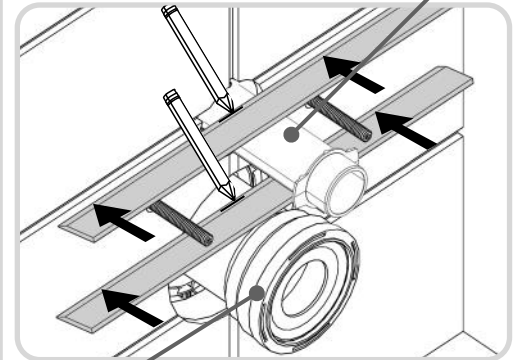
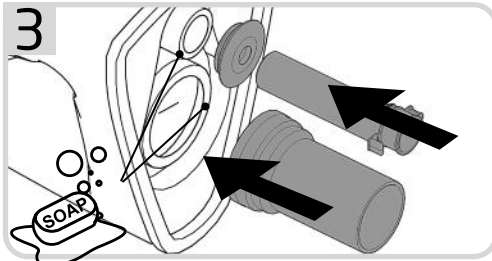
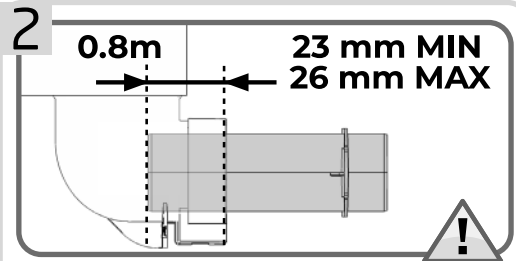
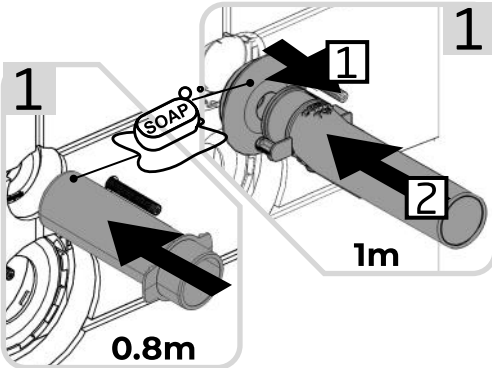
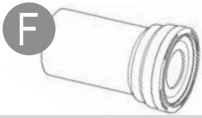
WARNING
 0.8m - maximum wall thickness (**50mm**)
 1m - maximum wall thickness (**60mm**) 9

6 FIRST FIX



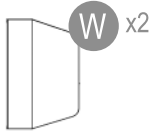
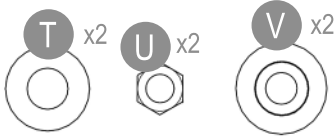
7a

FLUSHPIPE / WC PAN CONNECTOR INSTALLATION



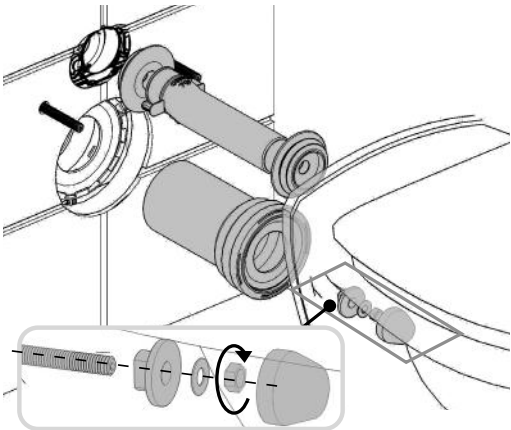
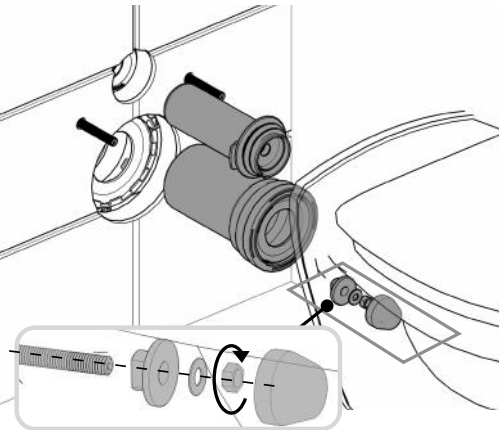
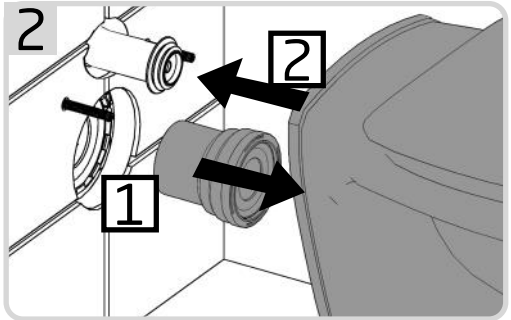
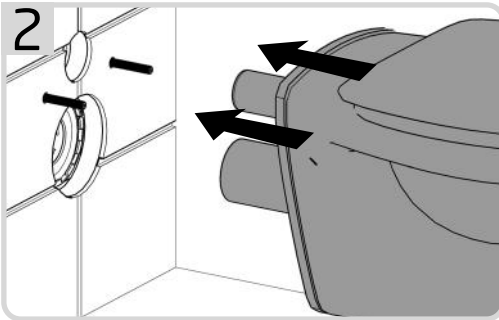
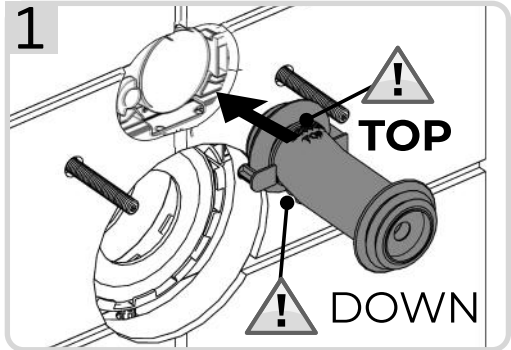
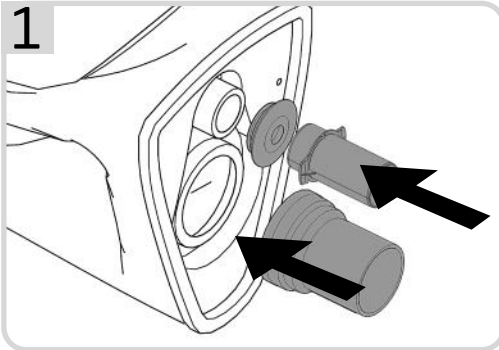
7b

PAN INSTALLATION



0.8m

1m



8

FINAL COMISSIONING

ATTENTION

- Allow the cistern to fill and check thoroughly for leaks around the toilet, cistern, water inlet, flush pipe and waste connections.
- Allow the cistern to fill and check that the inlet valve shuts off on the water line indicated inside the cistern. If adjustment is needed, move the float up (clockwise) or down (anti clockwise) by rotating the adjusting rod as required until the inlet shuts off on the water line indicated.
- Hold the adjusting rod down to cause the cistern to internally overflow. Ensure that the overflow can discharge the incoming water. If necessary, reduce the incoming water flow by partially closing the isolation valve.

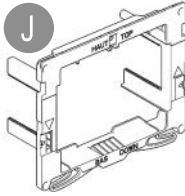
9

PUSH PLATE INSTALLATION

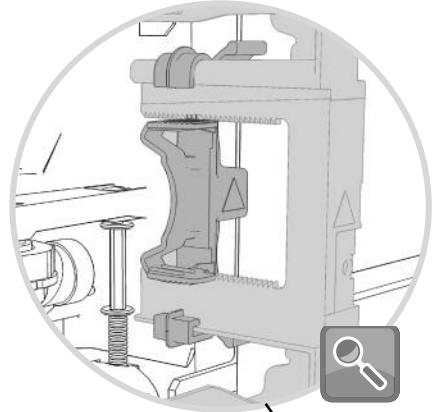
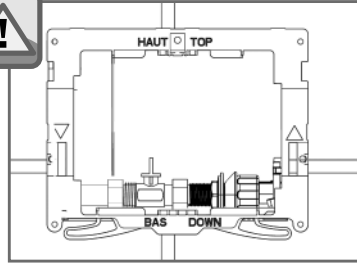
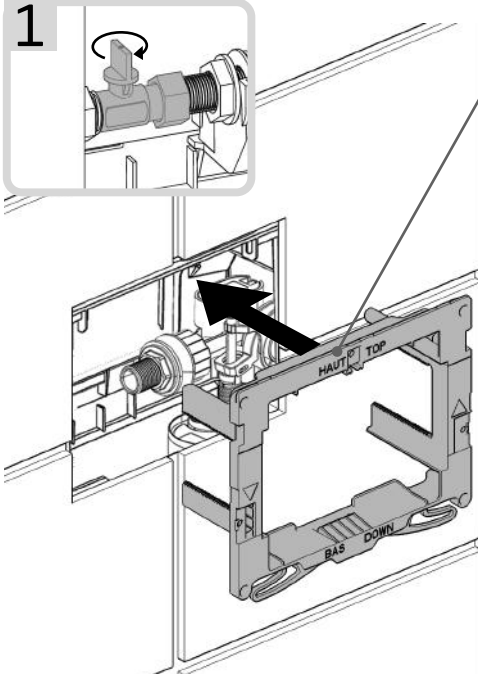
I x2



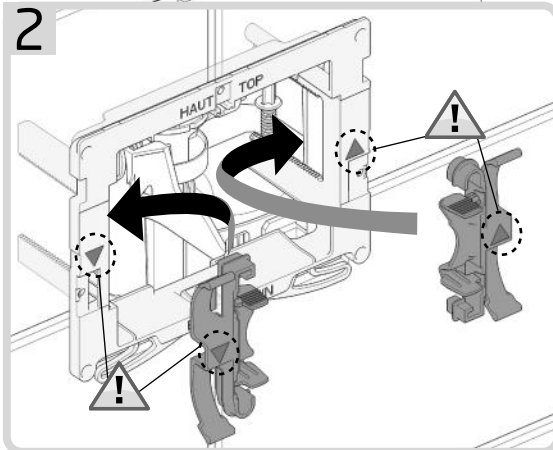
J



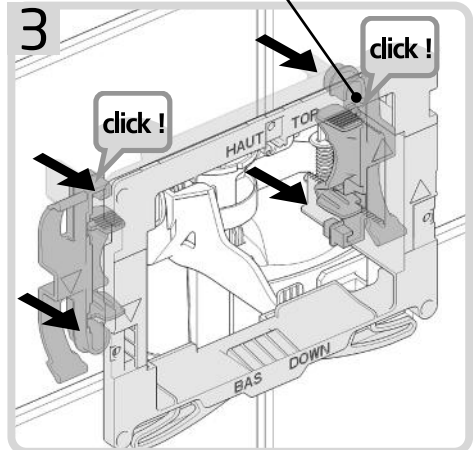
1



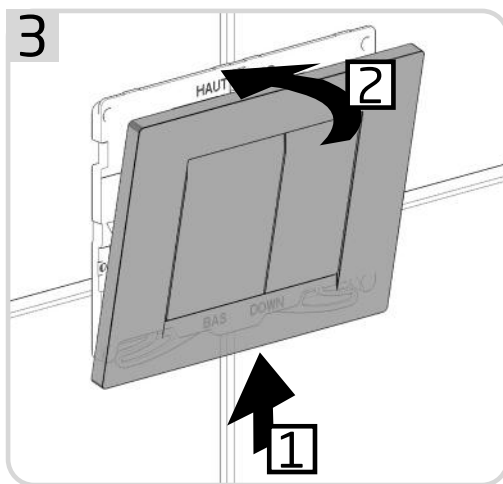
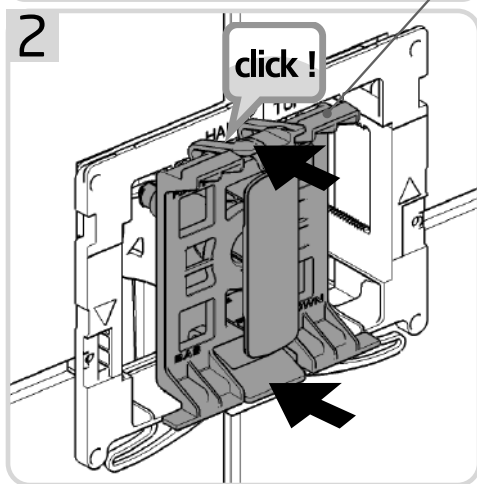
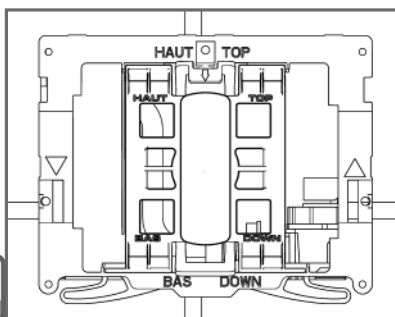
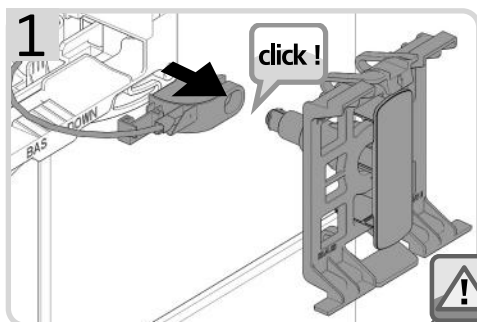
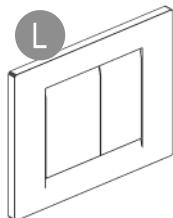
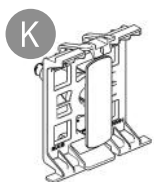
2



3



10 PUSH PLATE INSTALLATION



MAINTAINANCE & TROUBLE SHOOTING:

THE INLET VALVE WILL NOT LET WATER INTO THE CISTERN:

- Check the water supply and isolation valve are turned on
- Make sure the inlet valve float has free movement and is not in the shut off position
- Check the inlet valve filter for debris and rinse with clean water. The filter can be removed form the tail of the inlet valve with pliers.

THE INLET VALVE WILL NOT SHUT OFF:

- Make sure the inlet valve float has free movement and is not jammed.
- Check the inlet valve filter for debris and rinse with clean water. The filter can be removed form the tail of the inlet valve with pliers.

THE CISTERN IS FILLING TOO QUICKLY:

- Ensure the filter is fitted in the tail of the inlet valve.
- Reduce the incoming water flow by partially closing the isolation valve.

THE FLUSHING VALVE KEEPS RUNNING/ FLUSHING:

- Ensure the route of the cable is not kinked

HELPLINE

Should you require any technical help in association with your Wirquin products, please call our customer service number 0333 222 44 88 with your query.

WARRANTY: 10 Years

For more detail on warranty information, please visit our website: www.wirquin.co.uk



Wirquin Ltd | Unit 3, Alpha Court | Capitol Park | Thorne | DN8 5TZ - UK
T: +44(0) 333 222 4488 | Email: sales@wirquin.co.uk

www.wirquin.co.uk

wirquin